



The Signature of Quality

FEDERAL INDUSTRIES

A Standex Company
215 Federal Avenue
Belleville, WI 53508-9201

Phone: 800-356-4206
Fax: 608-424-3234
Email: geninfo@federalind.com
Website: www.federalind.com

Project Name: _____

Item #: _____

Model #: _____ Qty: _____

Approval: _____

AIA#

SIS#

MARKET SERIES REFRIGERATED DELI CASE

Market Deli. The low profile merchandiser that provides solutions to your fresh food merchandising needs. Designed for continuous case line-ups and without middle end glass.



Panel base shown.

MODEL	DIMENSIONS (Includes End Panels)
<input type="checkbox"/> SQ3CD	36 x 44.125 x 48 (in) 914 x 1121 x 1219 (mm)
<input type="checkbox"/> SQ4CD	48 x 44.125 x 48 (in) 1219 x 1121 x 1219 (mm)
<input type="checkbox"/> SQ5CD	60 x 44.125 x 48 (in) 1524 x 1121 x 1219 (mm)
<input type="checkbox"/> SQ6CD	72 x 44.125 x 48 (in) 1829 x 1121 x 1219 (mm)
<input type="checkbox"/> SQ8CD	96 x 44.125 x 48 (in) 2438 x 1121 x 1219 (mm)

STANDARD FEATURES

Model Features

- Lift-up, pneumatic, cylinder-assisted curved front glass.
- Adjustable Leg Levelers
- Rear work counter.
- Pedestal or panel base design.
- Tempered front and end glass.
- Removable rear door assembly. Doors not required for operation.
- Stainless steel interior and exterior finish.
- Solid-state control panel with main power, light, and temperature readout: humidity control optional.
- Designed for continuous case line-ups.
- Appliance receptacle provided on back for case register, scale or slicer.

Lighting

- 3500K LED Top Light.
- DLC Certified, IP66 rated

Refrigeration

- Condensate evaporator provided for a totally self-contained system. Remote refrigeration available.
- Average case temperature of 38° to 40°F is maintained.
- Oversized evaporator coil.
- Thermometer
- R513a Refrigerant.

Agency Approvals

- UL Safety and UL Sanitation listed
- DOE 2017 Compliant

OPTIONAL ACCESSORIES

- | | |
|---|---|
| <input type="checkbox"/> Special Case Height (50" or 52") | <input type="checkbox"/> Top Service Shelf |
| <input type="checkbox"/> Front Bumper Rail
(Black, White, Green, Gray) | <input type="checkbox"/> Humidity Control |
| <input type="checkbox"/> Reflective End Glass | <input type="checkbox"/> Accent Base Light |
| <input type="checkbox"/> Display Riser or Step Pan Holder | <input type="checkbox"/> Slicer Stand |
| <input type="checkbox"/> Remote Refrigeration (R449a Refrigerant, EEV Included) | <input type="checkbox"/> Non-Glare Glass |
| <input type="checkbox"/> Decorative End Panel
(Black, White, Green, Gray) | <input type="checkbox"/> Mezzanine Shelf, Lighted
(For Non-Refrigerated Product) |
| <input type="checkbox"/> Scale Stand | <input type="checkbox"/> Fish Case Package
(Includes Ice Pan and Drain) |
| <input type="checkbox"/> Food Container Holder | <input type="checkbox"/> Condensate Pump |



WARRANTY*
One year Parts and Labor
2nd thru 5th year part
only service compressor
(U.S.A and Canada)

Note: Information is subject to change at any time.
Visit www.federalind.com for the most current specs.

AIA#

MARKET SERIES REFRIGERATED DELI CASE

SIS#

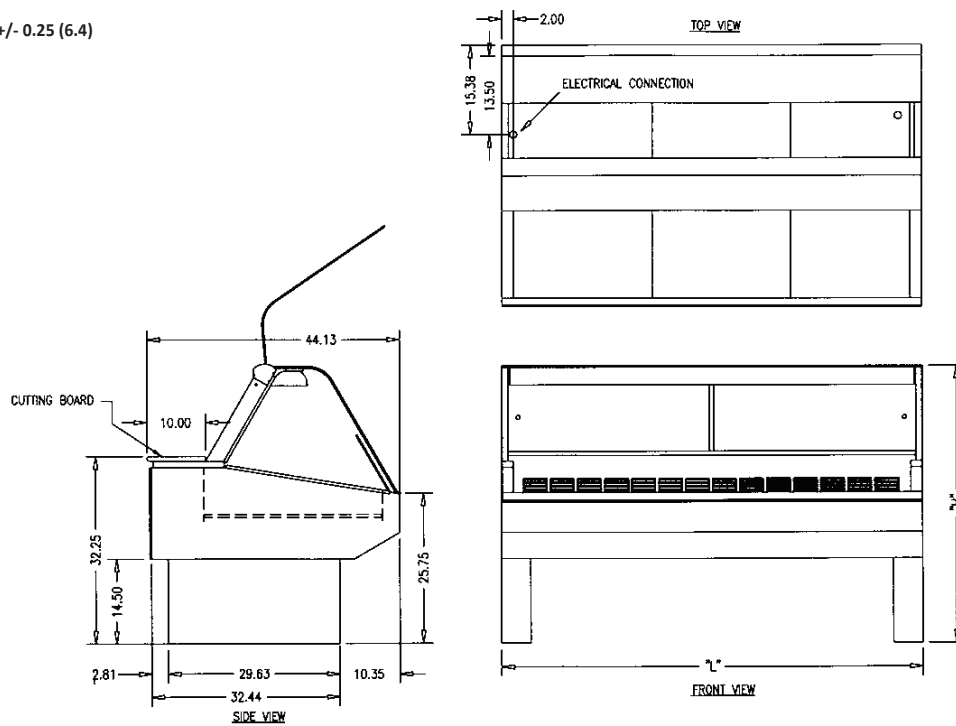
Product Specifications

Intended Environment: Type I - Designed to operate in maximum ambient conditions of 75°F (24°C) and 55% relative humidity unless noted otherwise in system information below.

Zone	Intended Product To Be Displayed	Avg Prod Temp °F/°C
All	Packaged Refrigerated Products	38°F / (3.3°C)

DIMENSION: xx"/(mm)

DIMENSION TOLERANCE +/- 0.25 (6.4)



MODEL	* DIMENSIONS				SHIPPING WHT		CAPACITY DISPLAY RISER	**SELF CONTAINED 120/60/1	** REMOTE 120/60/1
	L	D	H1	UNITS	LBS	KILO			
SQ3CD	36	44.125	48	in.	690	313	3	1/2 HP - 11.5 AMPS	6 AMPS
	1226	1121	1219	mm.					
SQ4CD	48	44.125	48	in.	745	338	4	1/2 HP - 13.8 AMPS	7 AMPS
	1219	1121	1219	mm.					
SQ5CD	60	44.125	48	in.	895	406	5	1/2 HP - 13.8 AMPS	7 AMPS
	1524	1121	1219	mm.					
SQ6CD	72	44.125	48	in.	1035	470	7	1/2 HP - 14.8 AMPS	7 AMPS
	1829	1121	1219	mm.					
SQ8CD	96	44.125	48	in.	1185	538	9	3/4 HP - 16.0 AMPS	8 AMPS
	2438	1121	1219	mm.					

* Without decorative end panels

** Plus general receptacle 120V, 15 AMP. (2nd circuit required.)

- When ordering, specify case line-up and pedestal or panel design
- Refrigerated cases are designed to operate in a maximum of 75°F (24°C) ambient and 55% relative humidity.
- Due to continuing engineering improvements, specifications are subject to change without notice.



The Signature of Quality®

FEDERAL INDUSTRIES

A Standex Company

215 Federal Avenue Belleville, Wisconsin 53508-9201

Phone: 800-356-4206

Fax: 608-424-3234

Email: Geninfo@Federalind.com

Website: Federalind.com